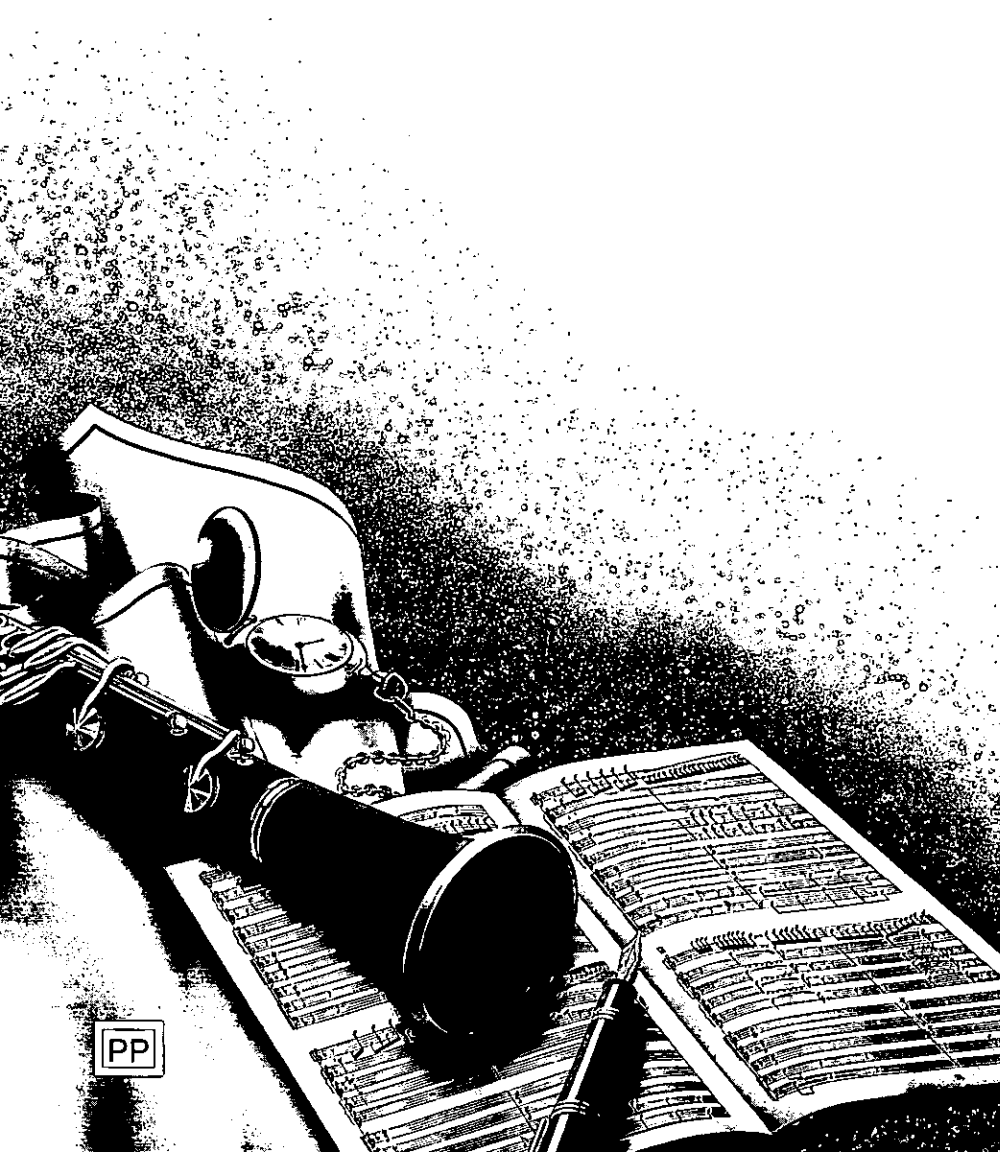
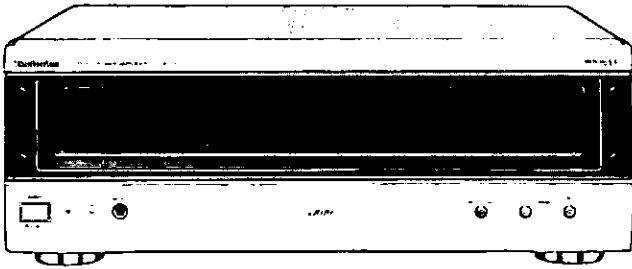


Stereo Power Amplifier

SE-A1010

Operating Instructions



Technics®



This manual was printed with soy based ink.

Before connecting, operating or adjusting this product, please read these instructions completely. Please keep this manual for future reference.

PP

RQT5006-Y

H0699MC0 (D)

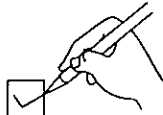
Dear Customer

Thank you for purchasing this product.
For optimum performance and safety, please read these instructions carefully.

Table of contents

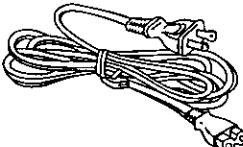
Precautions	3
Connections	4
Names of parts	7
Operations	8
Troubleshooting guide	9
Listening caution	9
Maintenance	10
Product service	10
Technical specifications	10

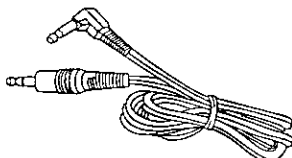
Accessories



Please check and identify the supplied accessories.

- AC power supply cord1
 (RJA0065-A)


- Remote control cable1
 (SJP2257T)



Use numbers indicated in parentheses when asking for replacement parts.

(Only for U.S.A.)

To order accessories contact 1-800-332-5368 or web site (<http://www.panasonic.com>).

Note

The included AC power supply cord is for use with this unit only. Do not use it with other equipment.

User memo:

DATE OF PURCHASE _____
DEALER NAME _____
DEALER ADDRESS _____

TELEPHONE NUMBER _____

The model number and serial number of this product can be found on either the back or the bottom of the unit. Please note them in the space provided below and keep for future reference.	
MODEL NUMBER	SE-A1010
SERIAL NUMBER	_____

WARNING:
TO REDUCE THE RISK OF FIRE, ELECTRIC SHOCK OR PRODUCT DAMAGE, DO NOT EXPOSE THIS APPLIANCE TO RAIN, SPLASHING, DRIPPING OR MOISTURE.

CAUTION:
TO PREVENT ELECTRIC SHOCK MATCH WIDE BLADE OF PLUG TO WIDE SLOT, FULLY INSERT.





CAUTION

RISK OF ELECTRIC SHOCK
DO NOT OPEN



CAUTION: TO REDUCE THE RISK OF ELECTRIC SHOCK, DO NOT REMOVE SCREWS. NO USER-SERVICEABLE PARTS INSIDE. REFER SERVICING TO QUALIFIED SERVICE PERSONNEL.

 The lightning flash with arrowhead symbol, within an equilateral triangle, is intended to alert the user to the presence of uninsulated "dangerous voltage" within the product's enclosure that may be of sufficient magnitude to constitute a risk of electric shock to persons.

 The exclamation point within an equilateral triangle is intended to alert the user to the presence of important operating and maintenance (servicing) instructions in the literature accompanying the appliance.

Precautions

Before using this unit please read these operating instructions carefully. Take special care to follow the warnings indicated on the unit itself as well as the safety suggestions listed below. Afterwards keep them handy for future reference.

Safety


1. **Power Source** – The unit should be connected to power supply only of the type described in the operating instructions or as marked on the unit.
2. **Polarization** – If the unit is equipped with a polarized AC power plug (a plug having one blade wider than the other), that plug will fit into the AC outlet only one way. This is a safety feature. If you are unable to insert the plug fully into the outlet, try reversing the plug. If the plug should still fail to fit, contact your electrician to replace your obsolete outlet. Do not defeat the safety purpose of the polarized plug.
3. **Power Cord Protection** – AC power supply cords should be routed so that they are not likely to be walked on or pinched by items placed upon or against them. Never take hold of the plug or cord if your hand is wet, and always grasp the plug body when connecting or disconnecting it.
4. **Nonuse Periods** – When the unit is not used, turn the power off. When left unused for a long period of time, the unit should be unplugged from the household AC outlet.

Installation

Environment

1. **Water and Moisture** – Do not use this unit near water-for example, near a bathtub, washbowl, swimming pool, or the like. Damp basements should also be avoided.
2. **Heat** – The unit should be situated away from heat sources such as radiators and the like.
It also should not be placed in temperatures less than 5°C (41°F) or greater than 35°C (95°F).

Placement

1. **Ventilation** – The unit should be situated so that its location or position does not interfere with its proper ventilation. Allow 10 cm (4") clearance from the rear of the unit.
2. **Foreign Material** – Care should be taken so that objects do not fall into and liquids are not spilled into the unit. Do not subject this unit to excessive smoke, dust, mechanical vibration, or shock.
3. **Magnetism** – The unit should be situated away from equipment or devices that generate strong magnetic fields.
4. **Stacking** – Do not place heavy objects, other than system components, on top of the unit.
5. **Surface** – Place the unit on a flat, level surface.
6. **Carts and Stands** – The unit should be used only with a cart or stand that is recommended by the manufacturer. The unit and cart combination should be moved with care. Quick stops, excessive force, and uneven surfaces may cause the unit and cart combination to overturn.

7. **Wall or Ceiling Mounting** – The unit should not be mounted to a wall or ceiling, unless specified in this operating instructions.

Maintenance

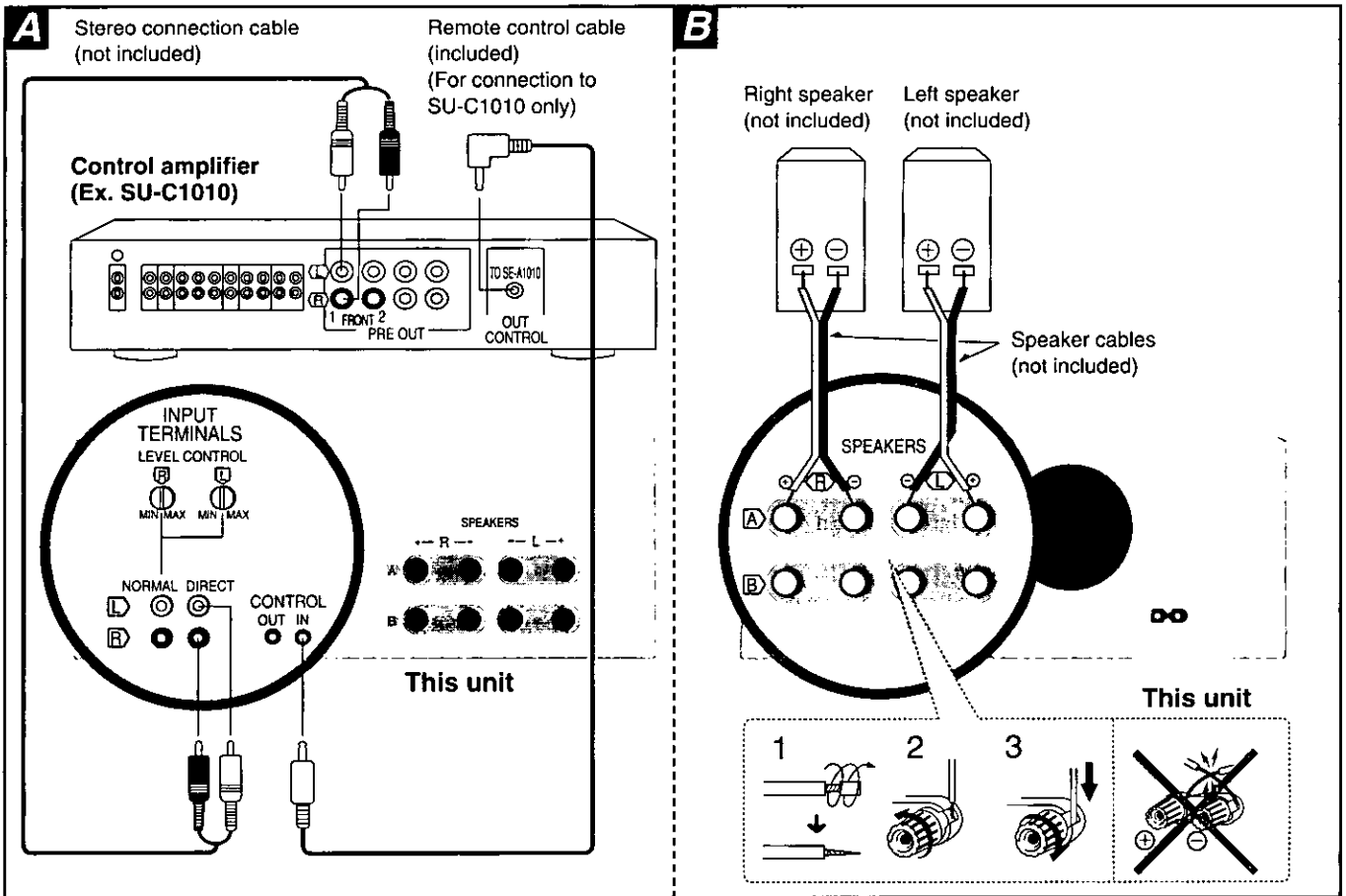
Clean the cabinet, panel and controls with a soft cloth lightly moistened with mild detergent solution.

Do not use any type of abrasive pad, scouring powder or solvent such as alcohol or benzine.

Service

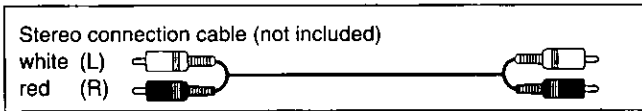
1. **Damage Requiring Service** – The unit should be serviced by qualified service personnel when:
 - (a) The AC power supply cord or the plug has been damaged; or
 - (b) Objects have fallen or liquid has been spilled into the unit; or
 - (c) The unit has been exposed to rain; or
 - (d) The unit does not appear to operate normally or exhibits a marked change in performance; or
 - (e) The unit has been dropped, or the enclosure damaged.
2. **Servicing** – The user should not attempt to service the unit beyond that described in the operating instructions. All other servicing should be referred to an authorized service personnel.
For the address of an authorized servicenter:
In the U.S.A. 1-800-211-7262
or web site (<http://www.panasonic.com>)
In Canada 905-624-5505
or web site (www.panasonic.ca)

Before use



Make sure that the power supply for all components has been turned off before making any connections. To connect equipment, refer to the appropriate operating instructions.

Connecting to a control amplifier **A**



“INPUT TERMINALS”

The amplifier has two input systems: DIRECT and NORMAL.

DIRECT

When connected to the DIRECT terminals, audio signals do not pass through the level control circuit, so the sound is crisper.

NORMAL

You should use NORMAL input when it is difficult to control volume, for example, when the sound is too loud when you raise the volume slightly on the control amplifier. Connect to the terminals and set input level from the LEVEL CONTROL knobs. There are separate level controls for left (L) and right (R). Turning to the left lowers input, but normally leave it to “MAX”.

Remote control cable

This enables you to turn the unit on and off together with SU-C1010.

Caution

Do not use the DIRECT and NORMAL terminals at the same time.

Connecting the speakers **B**

The wires which are connected to the positive (+) terminals of the amplifier should be connected to the positive (+) terminals of the speakers. The negative (-) terminals should be connected similarly.

“B” terminals

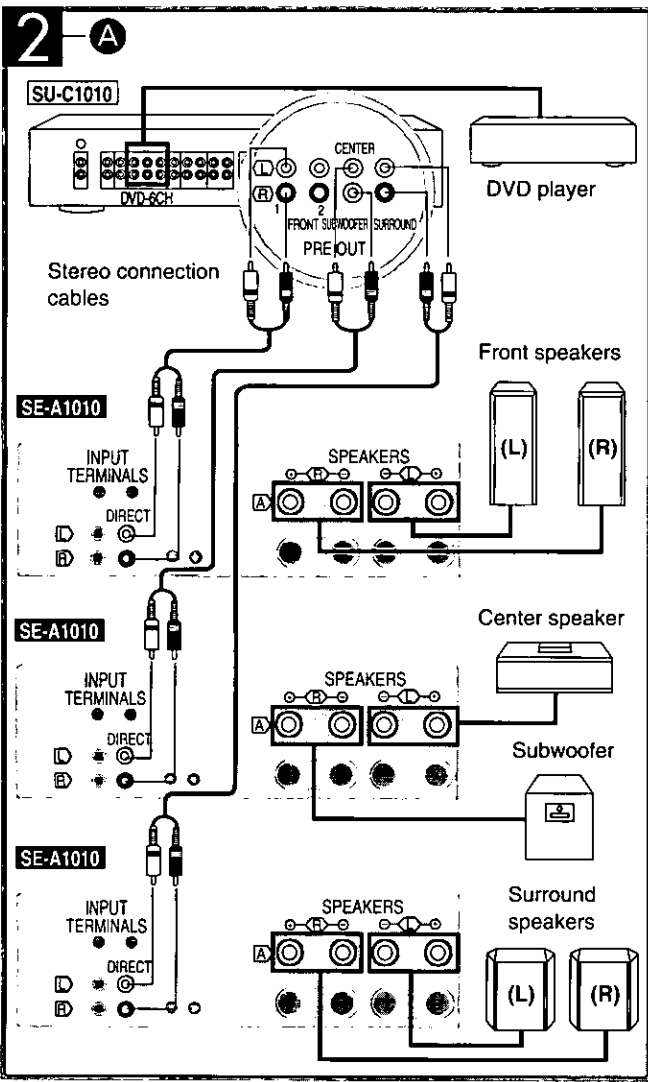
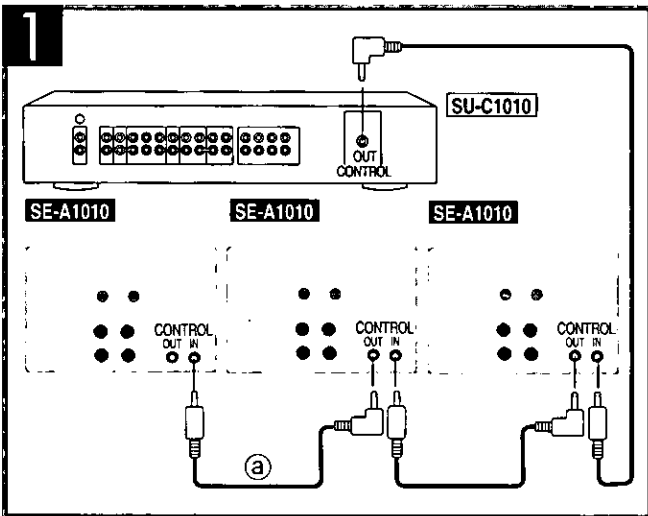
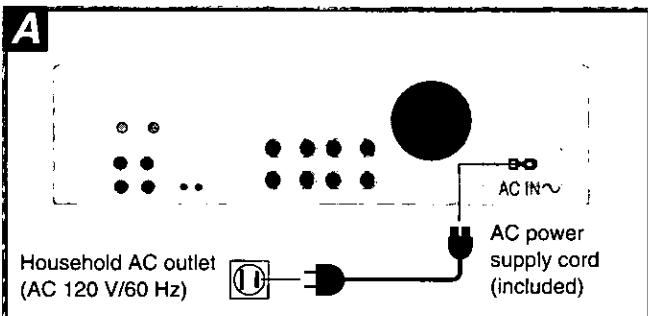
For connection to a second pair of speakers. If using separate treble and bass speakers, connect one set to the “A” terminals and the other set to the “B” terminals.

Speaker impedance

When only the “A” or only the “B” terminals are used: 4–8 Ω
When the “A” and “B” terminals are used simultaneously: 8 Ω

Caution

To prevent damage to circuitry, never short-circuit the positive (+) and negative (-) speaker wires.



Connecting the power supply **A**

Connect the AC power supply cord only after all other connections have been made.

Multiple amplifier system

Connect two or three of these amplifiers to one SU-C1010 Control Amplifier to create different systems. Use 3 when playing 6 channel systems, such as DVD. Use 2 for more control over bass and treble balance, or to separate the L and R channels to get a better orientation effect.

1 Connect the remote control cables (included) as shown.

The illustration is an example of when three of these units are used. Connection (a) isn't necessary when two are used. This connection allows you to control the system's power through the SU-C1010.

2 Connect the stereo connection cables and speakers to suit the system.

Three examples of connection follow. All cables and speakers not included.

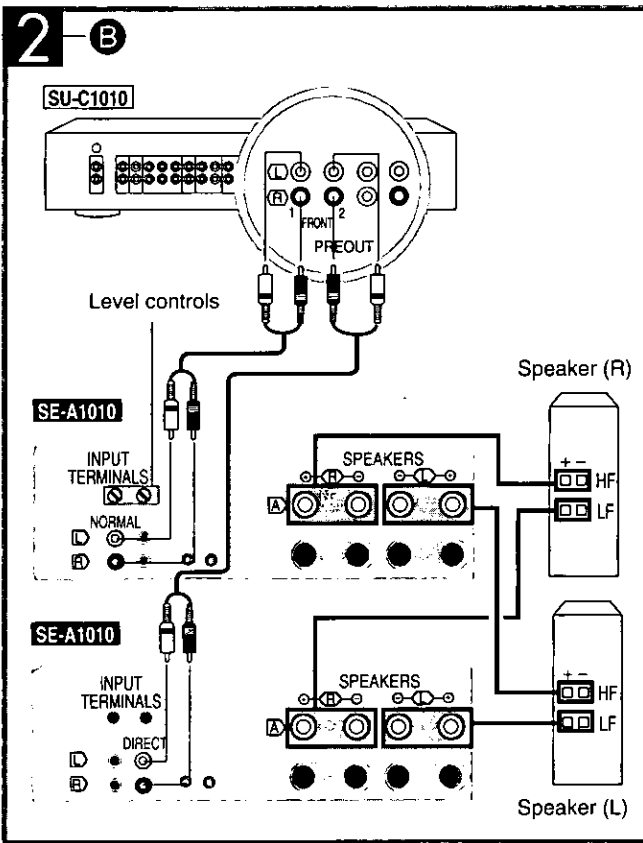
Example 1: To playback 6 channel sound from DVDs

Use one of these units for the front speaker channels (L and R), one for the subwoofer and center channels, and one for the surround channels (L and R). Read the operating instructions for SU-C1010 and the DVD player carefully for connection and set-up details.

(continued on next page)

Before use

Before use

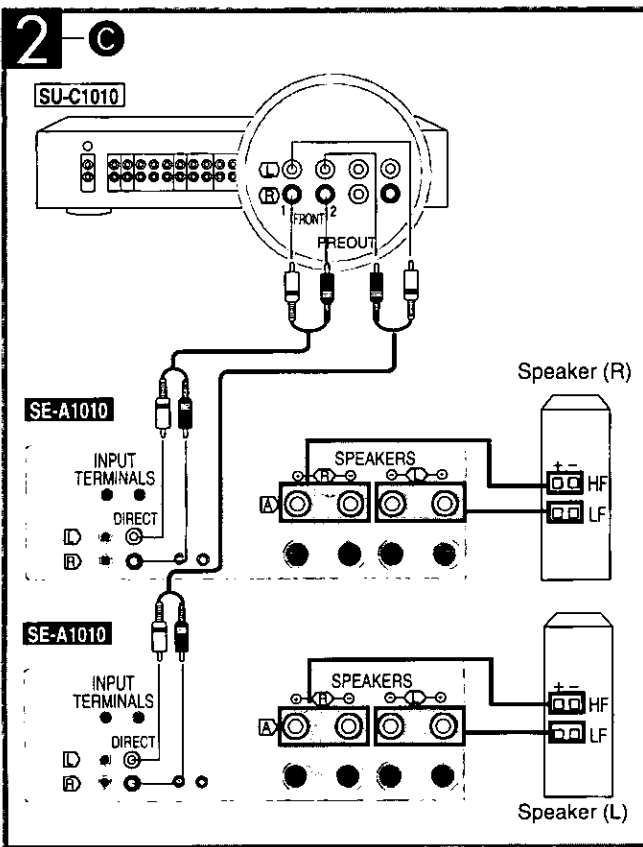


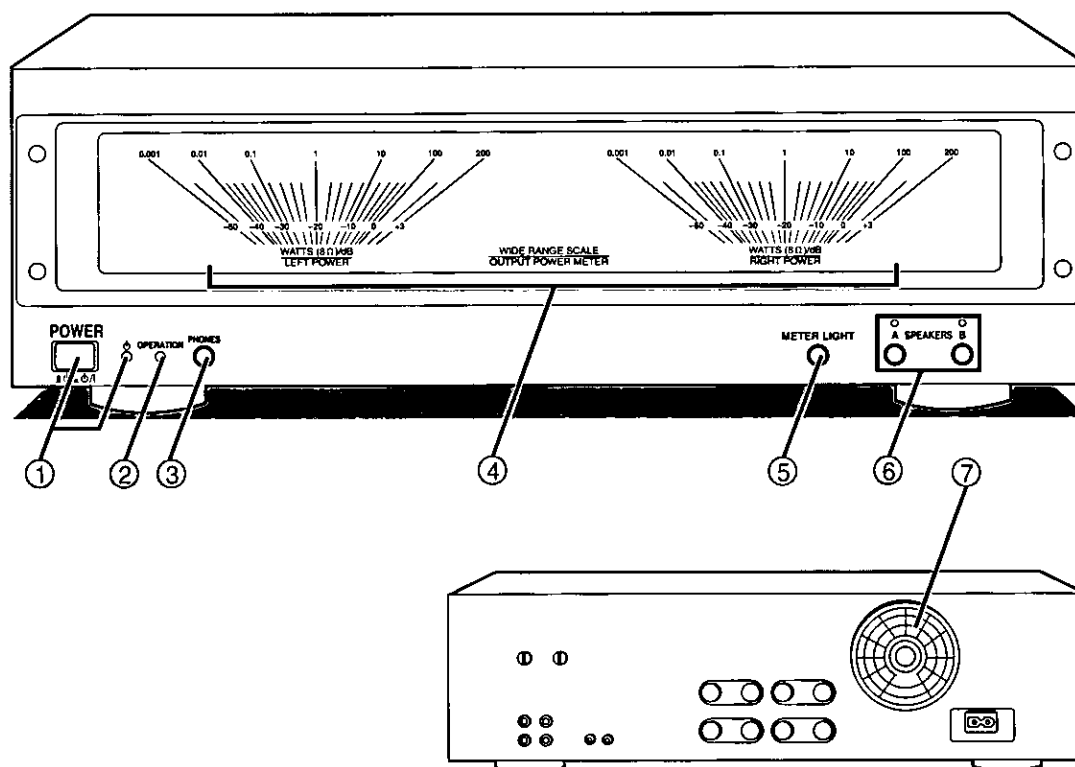
Example 2: For greater control over bass and treble balance
2-B

Use one of these units to control treble (HF) and another to control the bass (LF). Connect the control amplifier to this unit's NORMAL terminals to enable level control. Start adjustments from MAX (maximum). The example shows connection to enable adjustment of treble for overall bass-treble balance control. If required, the bass can also be connected to the NORMAL terminals to enable L-R balance control.

Example 3: Using these units as monaural amplifiers
2-C

Use one each of these units for the left and right channels. Complete separation of the channels is better and a greater sense of position is achieved. The example shows connection to speakers with bi-wiring terminals.





No.	Name
-----	------

- ① **Unit on/off button (POWER) and remote standby indicator (⏻)**
 Use this button to turn the unit on and off.
 ■ (off): The unit is in standby mode.
 ■ (on): The unit is on. The unit can be turned on and off from the Technics control amplifier SU-C1010 (sold separately). When the unit is turned off from SU-C1010, it is in remote standby and the indicator lights.

The unit is still using a small amount of power in the standby and remote standby conditions. Standby uses less power.

- ② **Operation indicator (OPERATION)**
 This indicator illuminates when the power amplifier is in the normal operating condition.
 If the (+) and (-) wires of the speaker cables are shorted, or if a circuit abnormality such as DC voltage in the power output to the speakers is detected, the protection circuit will operate and the "OPERATION" indicator will turn off.

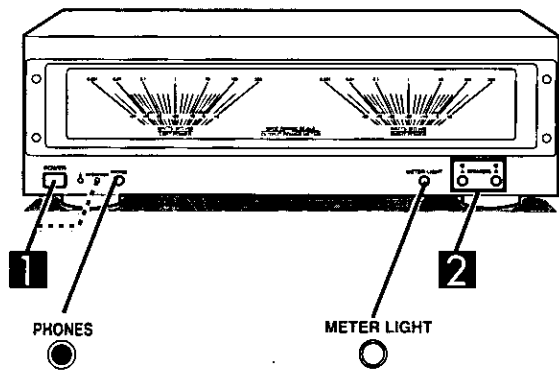
- ③ **Headphone jack (PHONES)**

No.	Name
-----	------

- ④ **Power meters**
 Indicate the output (watts) of this unit.
 When speakers having an impedance of 8 Ω are connected, the output level will be as indicated. However, if the speaker impedance is 4 Ω, the output level will be double the indicated value.

$$\text{Actual output} = \text{meter indication} \times \frac{8 (\Omega)}{\text{impedance of the speakers } (\Omega)}$$

- ⑤ **Power meter light button (METER LIGHT)**
 ⑥ **Speaker select buttons/indicators (SPEAKERS)**
 ⑦ **Cooling fan**
 The cooling fan operates at high power output levels only.



Before operating this unit

1. Set the volume on the control amplifier to the minimum position.
2. Turn on the control amplifier.

1 Press [POWER].

The operation indicator will illuminate after approximately 4 seconds.

If this unit is connected to an SU-C1010

Once this unit has been turned on, both amplifiers can then be turned on or to the standby mode using [POWER] on the control amplifier.

This is possible even when 2 or 3 of these units have been connected.

2 Press [A] and/or [B] to select the speaker system(s) to be used.

The corresponding indicator(s) will illuminate.

3 Operate the tape deck, CD player, or other equipment and adjust the volume on the control amplifier.

After listening is finished

1. Decrease the volume on the control amplifier.
2. When connected to the SU-C1010

Press [POWER] on the SU-C1010 to switch both amplifiers to the standby condition.

When connected to a different control amplifier

First switch this unit to the standby position, and then do the same for control amplifier.

Note

If the unit is turned off while the power meter light is on, a small click will be heard a few seconds later. This is an automatic adjustment by the internal mechanism, not an indication of malfunction.

Turning the power meter light on/off A

Press [METER LIGHT].

To listen through headphones B

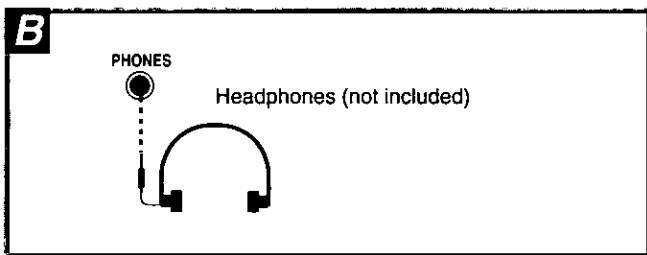
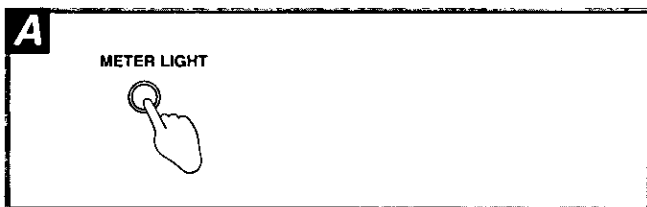
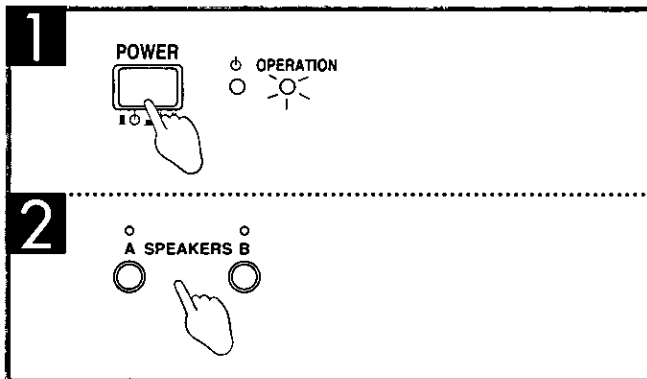
Decrease the volume on the control amplifier, and connect the headphones.

Plug type: 6.3 mm (1/4 in.) stereo

If sound from speakers is not wanted, press SPEAKER [A] and/or [B] to turn off the speaker indicators.

Note

Avoid listening for prolonged periods of time to prevent hearing damage.



Troubleshooting guide

Before requesting service for this unit, check the chart below for a possible cause of the problem you are experiencing. Some simple checks or a minor adjustment on your part may eliminate the problem and restore proper operation.

If you are in doubt about some of the check points, or if the remedies indicated in the chart do not solve the problem, refer to the directory of Authorized Service Centers (enclosed with this unit) to locate a convenient service center, or consult your dealer for instructions.

For detailed instructions, contact an authorized servicenter in the U.S.A. and Panasonic Canada Inc. Customer Care Centre in Canada.

In the U.S.A. 1-800-211-7262 or web site

(<http://www.panasonic.com>)

In Canada 905-624-5505 or web site

(www.panasonic.ca)

Reference pages indicated in black circles. (For example: ⑥)

Problem	Probable cause(s)	Suggested remedy
Common problems		
No sound is heard when the power is switched ON.	The power cord plug is not completely inserted.	• Confirm that the power cord plug is fully inserted.
	Connections are incomplete or incorrect to the speaker systems, etc.	• Check to be sure that all connection wires are correctly connected. ④ ⑤ ⑥
	The speaker indicator(s) is (are) turned OFF.	• Turn ON the speaker indicator(s). ⑥
When listening to stereo sound, the sound lacks depth (i.e. thin bass, tinny sound).	One of the speakers is connected out of phase [(+) → (-), (-) → (+)].	• Reconnect the speakers maintaining proper polarity [i.e., (+) → (+), (-) → (-)]. ④ ⑥
When listening to stereo sound, the left and right sounds are reversed.	The left and right speaker connections, or control amplifier connections are reversed.	• Check all connections and correct them if necessary. ④ ⑥
A low-pitched noise ("hum" or "buzz") is heard.	The power cord or a fluorescent light, etc., is near the connection wires.	• Try separating the power supply cord from the connection wires.
Sound is not heard from one of the speakers.	The speaker wires are disconnected.	• Check and correct the connections of the speaker wires.
Sound stops during a performance, or no sound is heard when the power is switched ON.	The protection circuitry has functioned because the positive and negative speaker connection wires are "shorted", speakers with an impedance less than the indicated rated impedance of the amplifier are used, or DC voltage appears in the output, causing the protection circuitry to function.	• Switch OFF the power, and, after determining and correcting the cause, switch ON the power once again. • Use speakers of the proper impedance rating. ④

Reference

Listening caution



Selecting fine audio equipment such as the unit you've just purchased is only the start of your musical enjoyment. Now it's time to consider how you can maximize the fun and excitement your equipment offers. This manufacturer and the Electronic Industries Association's Consumer Electronics Group want you to get the most out of your equipment by playing it at a safe level. One that lets the sound come through loud and clear without annoying blaring or distortion-and, most importantly, without affecting your sensitive hearing.

We recommend you to avoid prolonged exposure to excessive noise.

Sound can be deceiving. Over time your hearing "comfort level" adapts to higher volumes of sound. So what sounds "normal" can actually be loud and harmful to your hearing.

Guard against this by setting your equipment at a safe level BEFORE your hearing adapts.

To establish a safe level:

- Start your volume control at a low setting.
- Slowly increase the sound until you can hear it comfortably and clearly, and without distortion.

Once you have established a comfortable sound level:

- Set the dial and leave it there.

Taking a minute to do this now will help to prevent hearing damage or loss in the future. After all, we want you listening for a lifetime.

Maintenance

To clean this unit, wipe with a soft, dry cloth.

If the surfaces are extremely dirty, use a soft cloth dipped in a soap-and-water solution or a weak detergent solution.

- Never use alcohol, paint thinner or benzine to clean this unit.
- Before using chemically treated cloth, read the instructions that came with the cloth carefully.

Product service

Do not attempt to remove the cover(s) or repair the unit yourself. Refer servicing to qualified personnel only.

Product information

For product service, product information or assistance with product operation, refer to the servicer directory.

Technical specifications (IHF '78)

■ POWER AMP SECTION

Rated minimum sine wave RMS power output

20 Hz–20 kHz both channels driven

0.01 % total harmonic distortion 70 W per channel (8 Ω)

Total harmonic distortion

rated power at 20 Hz–20 kHz 0.015% (8 Ω)

Intermodulation distortion (50 Hz: 7 kHz=4:1, SMPTE)

rated power 0.007% (8 Ω)

Residual hum and noise

0.3 mV

Damping factor

70 (8 Ω)

35 (4 Ω)

Dynamic headroom

0.3 dB (8 Ω)

0.5 dB (4 Ω)

Headphones output level/impedance

540 mV/330 Ω

Load impedance

A or B

4–8 Ω

A and B

8 Ω

Input sensitivity/impedance

NORMAL, DIRECT (Input level control MAX)

1 V (1V IHF '66)/20 kΩ

95 dB

S/N

115 dB (IHF '66)

Frequency response

NORMAL (Input level control MAX)

5 Hz–100 kHz (+0 dB, –3 dB)

20 Hz–20 kHz (+0 dB, –0.5 dB)

DIRECT

5 Hz–100 kHz (+0 dB, –3 dB)

20 Hz–20 kHz (+0 dB, –0.5 dB)

■ GENERAL

Power supply

AC 60 Hz, 120 V

Power consumption

245 W, 310 VA

Standby

2.1 W

Dimensions (W×H×D)

430×158×344 mm

(16-15/16"×6-7/32"×13-17/32")

Weight

10.3 kg

Note:

1. Specifications are subject to change without notice. Weight and dimensions are approximate.
2. Total harmonic distortion is measured by the digital spectrum analyzer.

Panasonic Consumer Electronics Company, Division of Matsushita Electric Corporation of America
One Panasonic Way Secaucus, New Jersey 07094
<http://www.panasonic.com>

Panasonic Sales Company, Division of Matsushita Electric of Puerto Rico, Inc. ("PSC")
Ave. 65 de Infantería, Km. 9.5
San Gabriel Industrial Park, Carolina, Puerto Rico 00985

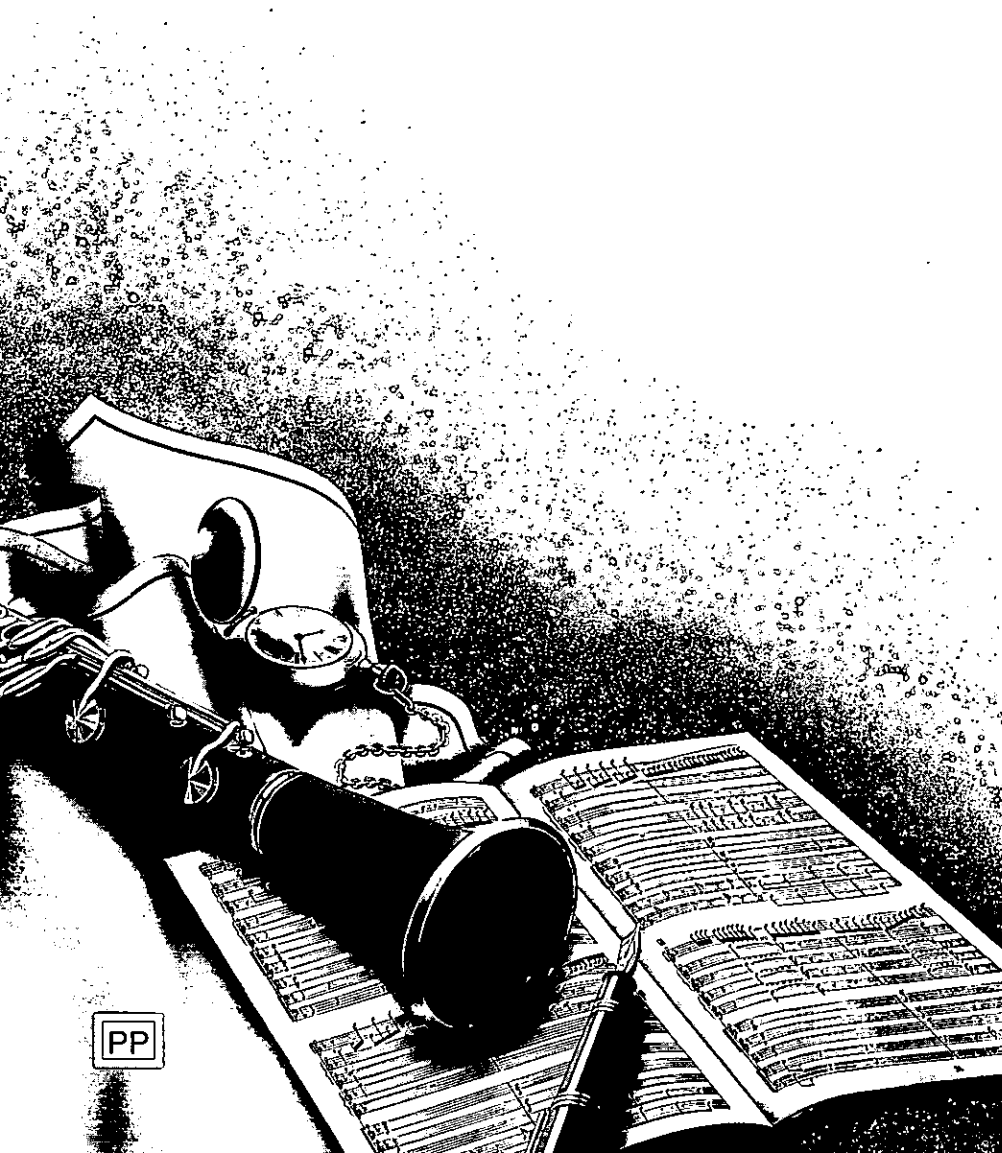
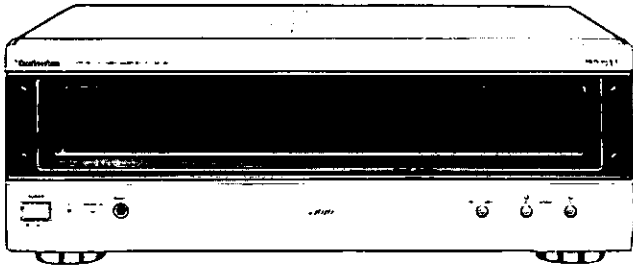
Panasonic Canada Inc.
5770 Ambler Drive, Mississauga, Ontario L4W 2T3
www.panasonic.ca



Amplificateur de puissance stéréo

SE-A1010

Manuel d'utilisation



PP

Technics®



Ce manuel a été imprimé avec de l'encre à base de soja.

Il est recommandé de lire attentivement le présent manuel avant d'utiliser l'appareil. Conserver ce manuel.

RQT5006-Y

H0699MC0 (D)

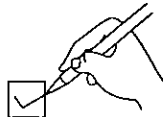
Cher client

Nous vous remercions d'avoir arrêté votre choix sur cet appareil.
Pour en tirer un rendement optimal, lire attentivement le présent manuel.

Table des matières

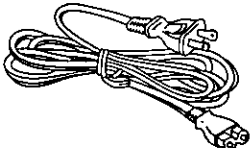
Précautions à prendre	3
Raccordements	4
Description des pièces	7
Fonctionnement	8
Guide de dépannage	9
Protection de l'ouïe	9
Entretien	10
Service après-vente	10
Données techniques	10

Accessoires

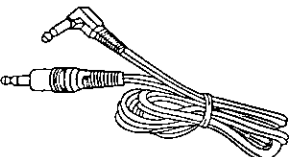


Vérifier et identifier les accessoires fournis.

- Cordon d'alimentation c.a.1
(RJA0065-A)



- Câble de la télécommande.....1
(SJP2257T)



Lors de la commande de pièces de rechange, utiliser les numéros indiqués entre parenthèses.

Nota

Le cordon d'alimentation fourni est pour utilisation exclusive avec cet appareil. Ne pas l'utiliser avec un autre appareil.

Homologation:

DATE D'ACHAT	_____
DÉTAILLANT	_____
ADRESSE DU DÉTAILLANT	_____
_____	_____
N° DE TÉLÉPHONE	_____

Il est recommandé de noter, dans l'espace prévu ci-dessous, le numéro de modèle et le numéro de série inscrits à l'arrière, ou sous le fond de l'appareil, et de conserver ce manuel pour référence ultérieure.

NUMÉRO DE MODÈLE SE-A1010

NUMÉRO DE SÉRIE

MISE EN GARDE:
AFIN DE PRÉVENIR TOUT RISQUE D'INCENDIE OU DE CHOCS ÉLECTRIQUES, AINSI QUE TOUT DOMMAGE À L'APPAREIL, NE PAS L'EXPOSER À LA PLUIE, À DES ÉCLABOUSSURES OU À UNE HUMIDITÉ EXCESSIVE.

ATTENTION:
POUR ÉVITER LES CHOCS ÉLECTRIQUES, INTRODUIRE LA LAME LA PLUS LARGE DE LA FICHE DANS LA BORNE CORRESPONDANTE DE LA PRISE ET POUSSER JUSQU'AU FOND.



ATTENTION

RISQUE DE CHOC ÉLECTRIQUE
NE PAS OUVRIR



ATTENTION: AFIN DE PRÉVENIR LE RISQUE DE CHOCS ÉLECTRIQUES, NE PAS RETIRER LES VIS. TOUTE RÉPARATION DEVRAIT ÊTRE CONFIEE À UN PERSONNEL QUALIFIÉ.



Le symbole de l'éclair dans un triangle équilatéral indique la présence d'une tension suffisamment élevée pour engendrer un risque de chocs électriques.



Le point d'exclamation dans un triangle équilatéral indique que le manuel d'utilisation inclus avec l'appareil contient d'importantes recommandations quant au fonctionnement et à l'entretien de ce dernier.

Précautions à prendre

Avant d'utiliser l'appareil, lire attentivement les instructions qui suivent. Se conformer tout particulièrement aux avertissements inscrits sur l'appareil et aux suggestions présentées ci-dessous. Conserver le présent manuel pour consultation ultérieure.

Mesures de sécurité

1. **Alimentation** – Ne brancher cet appareil que dans une prise de courant du type décrit dans le présent manuel ou tel qu'indiqué sur l'appareil.
2. **Polarisation** – Si l'appareil est équipé d'une fiche polarisée (dont une lame est plus large que l'autre), cette dernière ne peut être branchée que dans un sens. Si la fiche ne peut être insérée dans la prise, en inverser le sens. Si la fiche ne peut toujours pas être branchée, communiquer avec un électricien pour faire changer la prise de courant. Ne pas tenter de contourner cette mesure de sécurité.
3. **Protection du cordon d'alimentation** – Les cordons secteur doivent être placés de manière qu'ils ne soient pas piétinés ou écrasés par des objets. Ne jamais toucher à un cordon d'alimentation les mains mouillées et toujours tenir la fiche et non le cordon pour le brancher ou le débrancher.
4. **Après usage** – Après usage, toujours couper le contact sur l'appareil. En cas de non utilisation prolongée, débrancher le cordon d'alimentation de la prise de courant.

Installation

Environnement

1. **Eau et humidité** – Ne pas utiliser cet appareil dans un endroit où il risquerait d'être mouillé (près d'une baignoire, d'un lavabo, d'une piscine). Éviter également les endroits humides.
2. **Chaleur** – Éloigner l'appareil de toute source de chaleur telle que radiateurs et autres éléments de chauffage. Ne pas le placer dans un endroit où la température est inférieure à 5°C (41°F) ou supérieure à 35°C (95°F).

Emplacement

1. **Aération** – Placer l'appareil dans un endroit où il n'existe aucun obstacle à sa ventilation. Laisser un jeu d'au moins 10 cm (4 po) entre toute surface et l'arrière de l'appareil.
2. **Objets divers** – Éviter qu'un objet tombe dans l'appareil ou qu'un liquide y soit déversé. Protéger l'appareil contre la fumée, la poussière, les vibrations et les chocs.
3. **Champ magnétique** – Éloigner l'appareil de toute source de champ magnétique.
4. **Empilage** – Ne rien placer sur l'appareil sauf un autre composant de la chaîne.
5. **Emplacement** – Mettre l'appareil sur une surface plane et de niveau.
6. **Baies et supports** – Ne placer l'appareil que dans une baie ou sur un support recommandé par le fabricant. Au besoin, déplacer la baie ou le support avec le plus grand soin.
Un arrêt brusque, l'application d'une force excessive ou le déplacement sur une surface inégale pourrait causer le renversement de la baie ou du support.



7. **Installation murale ou au plafond** – À moins d'indication contraire, il n'est pas recommandé de fixer l'appareil à un mur ou au plafond.

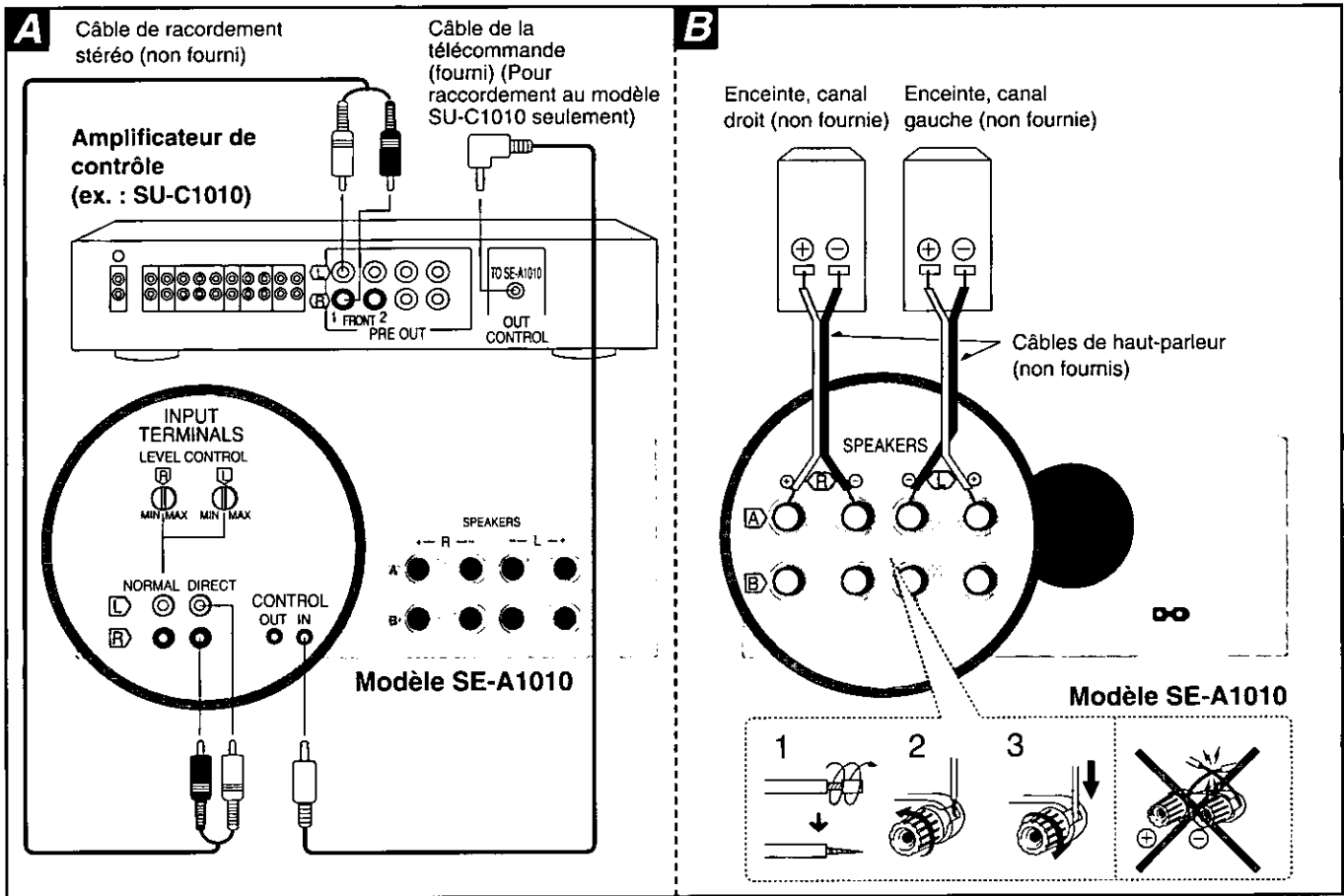
Entretien

Nettoyer le coffret avec un linge doux humecté d'une solution savonneuse.

N'utiliser ni tampon, ni nettoyant abrasif, ni solvant d'aucune sorte.

Service après-vente

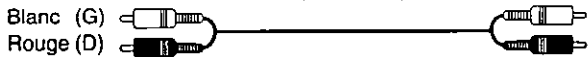
1. **En cas de dommage** – Confier l'appareil à un technicien qualifié dans les cas suivants:
 - (a) Lorsque le cordon d'alimentation ou sa fiche a été endommagé;
 - (b) Lorsqu'un objet est tombé dans l'appareil ou si ce dernier a été mouillé;
 - (c) Lorsque l'appareil a été exposé à la pluie;
 - (d) Lorsque l'appareil semble ne pas fonctionner normalement ou que son rendement laisse à désirer;
 - (e) Lorsque l'appareil a subi un choc violent ou que son coffret a été endommagé.
2. **Réparation** – Ne faire aucun réglage ni ajustement autres que ceux décrits dans le présent manuel. Confier toute réparation à un centre de service Panasonic agréé.
Pour l'adresse d'un centre de service agréé:
Appeler le (905) 624-5505 ou contacter notre site Internet à www.panasonic.ca



Avant d'effectuer les raccordements, s'assurer que le contact est coupé sur tous les appareils.
 Pour le raccordement des appareils, consulter le manuel d'utilisation approprié.

Raccordement à un amplificateur de contrôle **A**

Câble de raccordement stéréo (non fourni)



“Bornes d'entrée”

Cet amplificateur est doté de deux systèmes d'entrée : DIRECT et NORMAL

DIRECT

Lorsque le raccordement est fait aux bornes DIRECT, le signal audio ne chemine pas à travers les circuits de contrôle de niveau ; la sonorité est alors plus vive.

NORMAL

Il est recommandé d'utiliser les bornes NORMAL lorsqu'il est difficile de contrôler le volume comme par exemple si le niveau de sortie est trop élevé dans le cas d'une légère montée du volume sur l'amplificateur de contrôle. Connecter les câbles aux bornes et régler le niveau d'entrée au moyen des commandes de niveau (LEVEL CONTROL). Il y a une commande pour chaque canal (gauche et droit).

Un réglage vers la gauche diminue le niveau d'entrée. En temps normal, laisser le réglage à “MAX”.

Câble de télécommande

Cela permet de mettre l'appareil en et hors marche de pair avec l'amplificateur SU-C1010.

Mise en garde

Ne pas utiliser les bornes DIRECT et NORMAL simultanément.

Raccordement des enceintes **B**

Les fils connectés aux bornes positives (+) et négatives (-) de l'amplificateur doivent être connectés respectivement aux bornes positives (+) et négatives (-) de l'enceinte.

Bornes “B”

Ces bornes servent au raccordement d'une seconde paire d'enceintes.

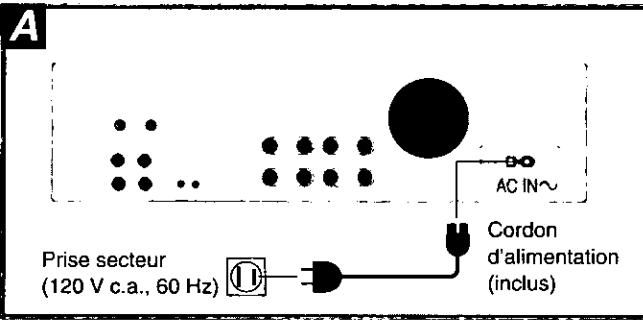
Avec des enceintes séparées pour les graves et les aigus, connecter une paire aux bornes “A” et la seconde aux bornes “B”.

Impédance des enceintes:

Lorsque que seules les bornes “A” ou “B” sont utilisées: 4–8 Ω
 Lorsque les bornes “A” et “B” sont utilisées simultanément: 8 Ω

Mise en garde

Afin de prévenir d'endommager les circuits, ne jamais court-circuiter les fils positifs (+) et négatifs (-).

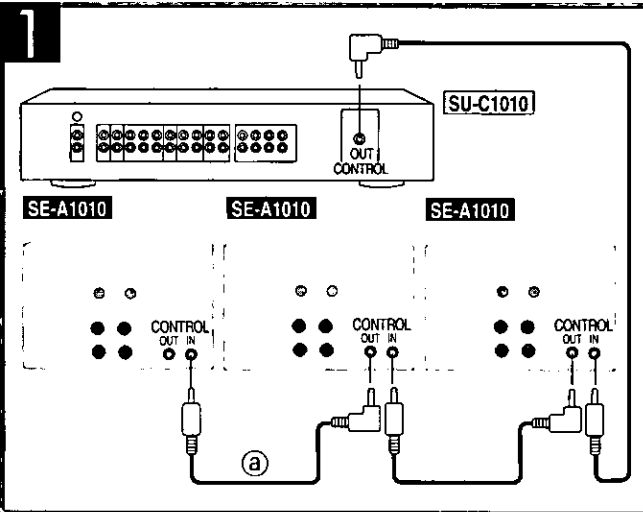


Branchement du cordon d'alimentation A

Ne brancher le cordon d'alimentation qu'après avoir effectué tous les autres raccordements.

Système à amplification multiple

Il est possible de relier deux ou trois de ces amplificateurs à un amplificateur de contrôle SU-C1010.
 Utiliser trois amplificateurs avec une source à six canaux (ex. : DVD).
 Utiliser deux amplificateurs pour exercer un meilleur contrôle de l'équilibre entre les graves et les aigus ou encore pour accentuer la séparation entre les canaux gauche et droit.

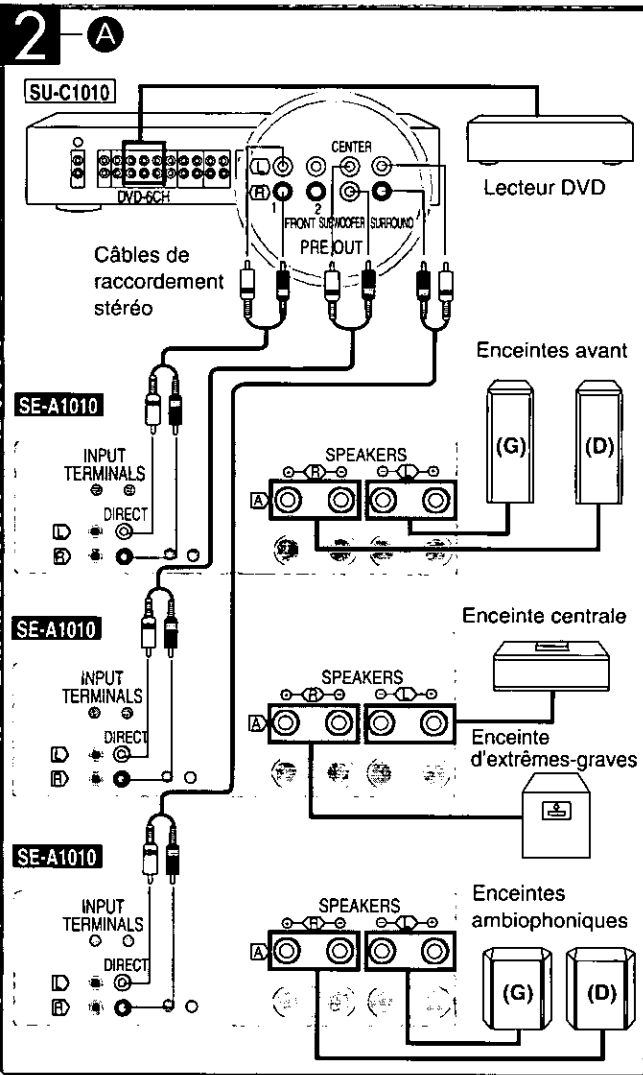


1 Raccorder les câbles de télécommande (inclus) de la manière illustrée.

L'illustration ci-contre montre comment raccorder trois amplificateurs. La connexion (a) n'est pas requise si seuls deux amplificateurs sont utilisés.
 Ce raccordement permet de mettre l'appareil en et hors marche à partir de l'amplificateur SU-C1010.

2 Raccorder les câbles stéréo et les enceintes de la manière appropriée.

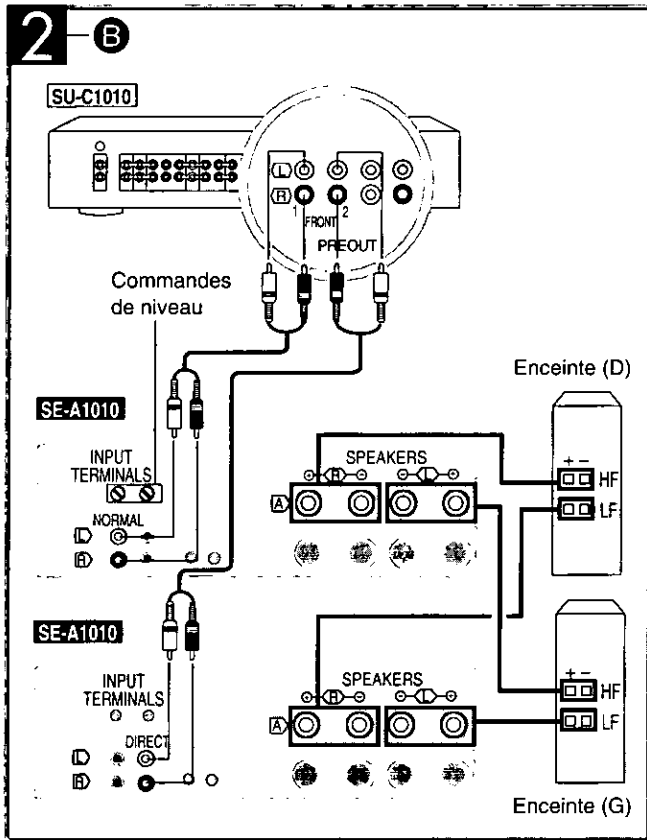
Trois exemples de raccordement sont présentés ci-après. Les enceintes et câbles sont vendus séparément.



Exemple 1: Avec une source à 6 canaux (lecteur DVD) 2-A

Utiliser un amplificateur pour les enceintes des canaux avant (gauche et droit), un second pour les canaux centre et des extrêmes-graves et un troisième pour les canaux ambiophoniques (gauche et droit).
 Se reporter aux manuels d'utilisation du modèle SU-C1010 et du lecteur DVD pour plus de détails sur les connexions.

(Suite à la page suivante)

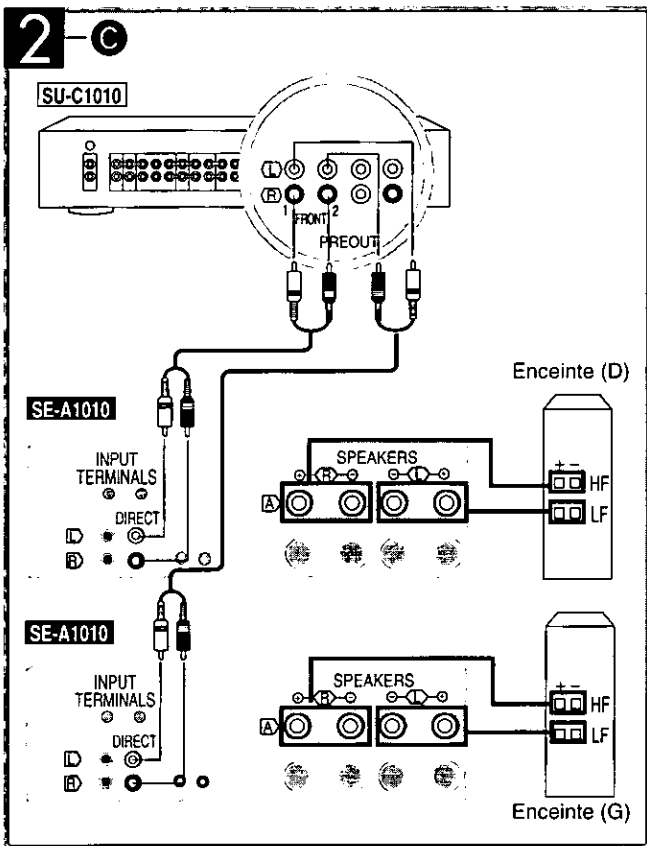


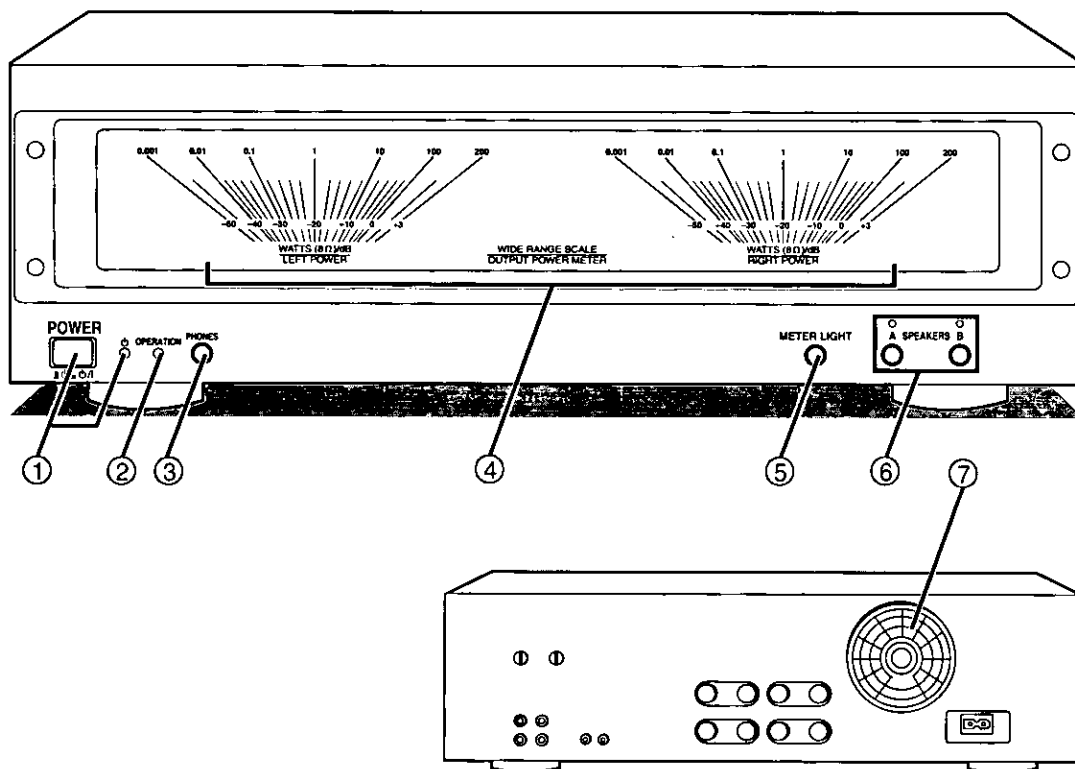
Exemple 2: Pour un meilleur contrôle de l'équilibre entre les graves/aigus

Utiliser un des amplificateurs pour contrôler les aigus (HF) et un autre pour les graves (LF). Faire les raccordements à des enceintes avec bornes bifilaires. Raccorder l'amplificateur de contrôle aux bornes NORMAL de l'appareil pour permettre le contrôle du niveau. Effectuer les réglages à partir du niveau maximum (MAX). Ce raccordement permet de moduler la réponse dans l'aigu pour régler l'équilibre entre les graves/aigus. Au besoin, il est possible de connecter les graves aux bornes NORMAL pour permettre le réglage de l'équilibre gauche/droit.

Exemple 3: Utilisation des appareils comme amplificateurs monophoniques

Utiliser un amplificateur pour chacun des canaux gauche et droit. Cela permet une meilleure séparation des canaux et une meilleure image sonore. L'exemple illustré décrit un raccordement aux enceintes avec des bornes bifilaires.





N°	Nom de la commande
----	--------------------

① **Interrupteur (POWER) et voyant d'attente (télécommande)** (⏻)

Utiliser cette touche pour mettre l'appareil en et hors marche.

- (hors marche) : L'appareil est dans le mode attente.
- (en marche) : L'appareil est en marche. L'appareil peut être mis en et hors marche depuis l'amplificateur de contrôle Technics SU-C1010 (vendu séparément). Lorsque l'appareil est mis hors marche depuis un amplificateur SU-C1010, il passe au mode attente télécommandé et le voyant s'allume.

Dans les modes attente et attente télécommandé, l'appareil consomme une petite quantité d'énergie ; la consommation d'énergie est moindre dans le mode attente.

② **Voyant de marche (OPERATION)**

Ce voyant s'allume lorsque l'amplificateur est dans son mode normal de fonctionnement.

Dans le cas où les fils (+) et (-) des enceintes seraient court-circuités, ou si une anomalie telle qu'une tension c.c. dans le signal de sortie aux enceintes est détectée, le circuit de protection se déclenche et le voyant de marche (OPERATION) s'éteint.

③ **Prise de casque d'écoute (PHONES)**

N°	Nom de la commande
----	--------------------

④ **Décibelmètres**

Ces instruments indiquent le niveau de sortie (en watts) de l'appareil.

Si des enceintes avec une impédance de charge de 8 ohms sont connectées, le niveau de sortie réel est indiqué tel quel. Par contre, si les enceintes ont une impédance de 4 ohms, le niveau de sortie est le double de celui indiqué.

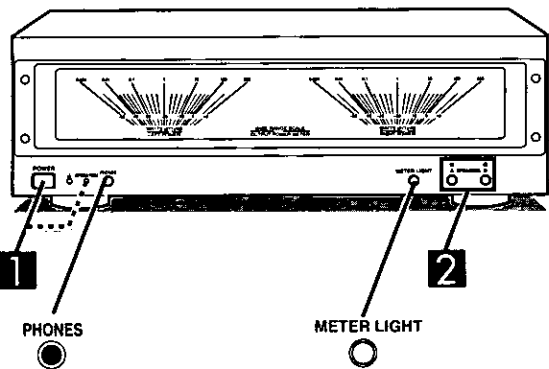
$$\text{Niveau réel} = \text{Lecture} \times \frac{8 (\Omega)}{\text{Impédance des enceintes } (\Omega)}$$

⑤ **Contacteur de l'éclairage des décibelmètres (METER LIGHT)**

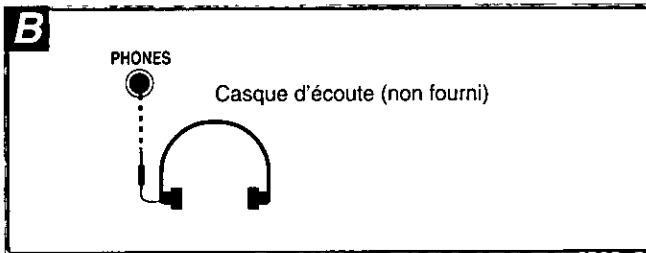
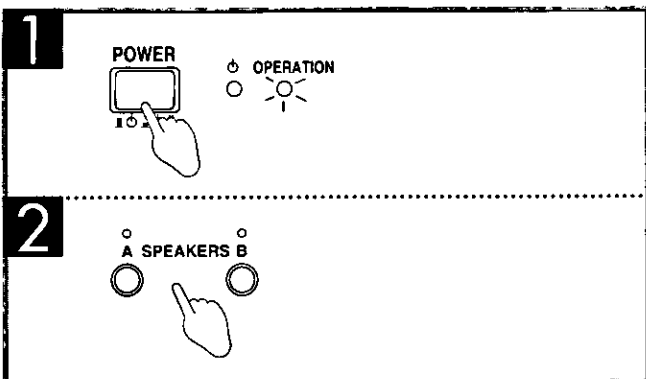
⑥ **Sélecteurs d'enceintes/voyants (SPEAKERS)**

⑦ **Ventilateur**

Le ventilateur ne fonctionne qu'aux niveaux de sortie élevés.



Fonctionnement



Avant d'utiliser l'appareil

1. Régler le volume sur l'amplificateur de contrôle à son niveau minimum.
2. Mettre l'amplificateur de contrôle en marche.

1 Appuyer sur l'interrupteur (POWER).

Le voyant de marche s'allume après un délai d'environ quatre (4) secondes.

Si l'appareil est connecté à un amplificateur de contrôle SU-C1010

Après la mise en marche de l'appareil, il est possible de mettre les deux amplificateurs en marche ou dans le mode attente au moyen de l'interrupteur (POWER) de l'amplificateur de contrôle.

Cela est possible même si 2 ou 3 amplificateurs ont été raccordés à l'amplificateur de contrôle.

2 Appuyer sur [A] et/ou sur [B] pour sélectionner la(les) paire(s) d'enceintes voulue(s).

Les voyants correspondants à la sélection s'allument.

3 Mettre en marche le magnétophone, le lecteur CD ou toute autre source et régler le volume sur l'amplificateur de contrôle.

Après la fin de l'écoute

1. Baisser le volume sur l'amplificateur de contrôle.
2. Si l'appareil est connecté à un amplificateur de contrôle SU-C1010

Appuyer sur l'interrupteur (POWER) de l'amplificateur SU-C1010 pour mettre les deux appareils dans le mode attente.

Si l'appareil est connecté à un amplificateur de contrôle autre que le modèle SU-C1010

Mettre d'abord l'appareil dans le mode attente, puis faire de même sur l'amplificateur de contrôle.

Nota

Si le contact sur l'appareil est coupé pendant que l'éclairage des décibelmètres est allumé, un dé clic se fait entendre quelques secondes plus tard. Ceci est un ajustement automatique du mécanisme interne et non pas un mauvais fonctionnement.

Mise en/hors contact de l'éclairage des décibelmètres A

Appuyer sur le contacteur [METER LIGHT].

Utilisation d'un casque d'écoute B

Baisser le volume sur l'amplificateur de contrôle, puis brancher le casque d'écoute.

Type de fiche: 6,3 mm (1/4 po) stéréo

Pour mettre les enceintes hors circuit, appuyer sur SPEAKER [A] et/ou [B] de manière que les voyants des enceintes s'éteignent.

Nota

Afin de prévenir tout risque d'endommager l'ouïe, éviter une écoute prolongée.

Consulter le tableau ci-dessous pour savoir si la difficulté rencontrée peut être résolue par les corrections qui y sont décrites, avant de faire appel à un centre de service. Si aucune solution n'a pu être trouvée même après avoir effectué ces vérifications, ou si l'appareil présente des symptômes de mauvais fonctionnement qui ne sont pas décrits dans ce tableau, communiquer avec le détaillant qui a vendu l'appareil ou avec le centre de service de la région (voir liste ci-jointe) pour plus de renseignements.

Pour de plus amples détails, contacter le Service à la clientèle de Panasonic Canada Inc. au (905) 624-5505 ou notre site Internet à www.panasonic.ca

Pages de référence indiquées dans un cercle noir (exemple ⑤)

Problème	Cause(s) probable(s)	Solution possible
Problèmes généraux		
Aucun son n'est entendu après la mise en marche.	La fiche du cordon d'alimentation n'est pas insérée à fond dans la prise.	• Vérifier le branchement et le corriger au besoin.
	Les raccordements sont incomplets ou incorrects (enceintes, etc.).	• Vérifier le branchement et le corriger au besoin. ④ ⑤ ⑥
	Aucun des voyants d'enceintes n'est allumé.	• Appuyer sur le(s) sélecteur(s) d'enceintes de manière qu'au moins un voyant soit allumé. ③
Avec une source stéréophonique, la sonorité manque de profondeur (graves sans puissance, bas volume).	L'une des enceintes est déphasée. [(+) → (-), (-) → (+)].	• Refaire les raccordements en respectant la polarité. [(+) → (+), (-) → (-)]. ④ ⑥
Avec une source stéréophonique, les canaux gauche et droit sont inversés.	Les raccordements des enceintes gauche et droite ou les connexions de l'amplificateur de contrôle sont inversés.	• Vérifier tous les raccordements et, au besoin, les corriger. ④ ⑥
Un bruit sourd (ronronnement) est entendu.	Le cordon d'alimentation ou une lampe fluorescente, etc. se trouve trop près des câbles.	• Éloigner le cordon d'alimentation le plus possible de tout câble.
Aucun son n'est entendu sur l'une des enceintes.	Les fils de raccordement sont déconnectés.	• Vérifier les connexions et, au besoin, les corriger.
Interruption ou absence de son.	Le circuit de protection s'est déclenché parce qu'il y a eu un court-circuit des fils (+) et (-) des enceintes, des enceintes à impédance plus faible que l'impédance nominale de l'amplificateur sont utilisées ou parce qu'une tension c.c. a été détectée dans le signal de sortie.	• Couper le contact et, après avoir identifié et corrigé le problème, le rétablir. • Utiliser des haut-parleurs dont l'impédance correspond à l'impédance nominale de l'amplificateur. ④

Protection de l'ouïe



Choisir un appareil audio de qualité tel celui que vous venez d'acheter ne représente que le début de votre plaisir musical. En effet, de simples mesures peuvent vous permettre d'optimiser l'agrément que votre appareil peut vous offrir. Le fabricant de cet appareil et le Groupe des produits grand public de l'Association de l'industrie électronique désirent que vous tiriez un plaisir maximum en l'écoutant à un niveau sécuritaire qui, tout en assurant une reproduction claire et puissante sans distorsion, ne puisse affecter votre ouïe.

Il est recommandé d'éviter une écoute prolongée à volume élevé.

Le son peut être trompeur. Avec le temps, votre niveau de confort auditif s'adapte à des volumes plus élevés. Ainsi, un niveau qui semble normal peut en fait être trop élevé et être nuisible à l'oreille. Protégez-vous en réglant le volume à un niveau sécuritaire avant que votre oreille ne s'adapte à un volume trop élevé.

- Pour déterminer un niveau d'écoute sécuritaire:
- Régler le volume au minimum.
 - Monter lentement le volume jusqu'au niveau d'écoute confortable avant qu'il n'y ait distorsion.

Après avoir identifié le niveau d'écoute confortable:

- Régler le volume et le laisser à ce niveau.

Les quelques secondes que vous demanderont ce réglage contribueront à prévenir tout dommage éventuel à l'ouïe.

Entretien

Pour nettoyer l'appareil, utiliser un chiffon doux et sec.
Si les surfaces sont très sales, utiliser un chiffon doux trempé dans une solution d'eau et de savon ou de détergent doux.

- Ne jamais utiliser d'alcool, diluant pour peinture ni de benzène pour nettoyer l'appareil.
- Avant d'utiliser un chiffon traité chimiquement, lire attentivement les directives sur l'emballage du chiffon.

Service après-vente

Ne pas tenter de retirer les couvercles ni de réparer l'appareil soi-même. Confier toute réparation à un personnel qualifié.

Demande d'informations

Pour toutes réparations, renseignements ou conseils sur le fonctionnement du produit, voir la liste des centres de service après-vente.

Données techniques (IHF' 78)

SECTION AMPLIFICATEUR DE PUISSANCE

Puissance nominale eff., avec onde sinusoïdale,
de 20 Hz à 20 kHz, les deux canaux en circuit,
avec distorsion harmonique totale de 0,01%
70 W par canal (8 Ω)

Distorsion harmonique totale
à puissance nominale, de 20 Hz à 20 kHz 0,015% (8 Ω)

Distorsion d'intermodulation (50 Hz: 7 kHz=4:1, SMPTE)
à puissance nominale 0,007% (8 Ω)

Bruit et ronronnement résiduels 0,3 mV

Facteur d'amortissement 70 (8 Ω)

35 (4 Ω)

Dynamique 0,3 dB (8 Ω)

0,5 dB (4 Ω)

Niveau de sortie-casque/impédance 540 mV/330 Ω

Impédance de charge

A ou B 4-8 Ω

A et B 8 Ω

Sensibilité d'entrée/impédance

NORMAL/DIRECT (niveau d'entrée au maximum)

1 V (1 V IHF '66)/20 kΩ

Rapport signal/bruit 95 dB

115 dB (IHF '66)

Réponse en fréquence

NORMAL (niveau d'entrée au maximum)

5 Hz-100 kHz (+0 dB, -3 dB)

20 Hz-20 kHz (+0 dB, -0,5 dB)

DIRECT

5 Hz-100 kHz (+0 dB, -3 dB)

20 Hz-20 kHz (+0 dB, -0,5 dB)

DIVERS

Alimentation 120 V c.a., 60 Hz

Consommation 245 W, 310 VA

Mode attente 2,1 W

Dimensions (L×H×P) 430×158×344 mm

(16-15/16 po×6-7/32 po×13-17/32 po)

Poids 10,3 kg

Remarques:

1. Données sous réserve de modifications.
Le poids et les dimensions sont approximatifs.
2. La distorsion harmonique totale est mesurée au moyen d'un spectroscopie numérique.

Panasonic Canada Inc.

5770 Ambler Drive, Mississauga, Ontario L4W 2T3

www.panasonic.ca

